

# VITRO S5



## A FANTASTIC DESIGN FOR A UNIQUE COFFEE MACHINE

The Vitro S5 is a large capacity, automatic, hot beverage machine, ideal for preparing an extensive menu of hot beverages of the highest quality. It features espresso and soluble coffee technologies.

The Vitro S5 is an ideal standalone solution for unattended high-volume locations that want to offer an excellent coffee service continuously and effortlessly.



## VITRO S5

Offers the authentic taste of the real espresso. The Vitro S5 is recommended for unattended locations thanks to its high capacity and secured tray.

### Product



Espresso or  
Fresh-brew



Soluble



Hot water  
Spout

### Machine features & options



Touch  
Selection



Distance  
Selection



High  
Capacity



LED



Cup holder



Removable  
Tray



Secured  
Tray





## TALENT MANAGEMENT AT THE OFFICE

Talent has become the scarcest resource in the modern workplace and companies want to attract, retain and develop it. Informal coffee environments are one of the many employee benefits used in talent management. Therefore, networking activity flourishes in mixed environments and the Vitro S5 is optimal to support co-operative cultures through consistent coffee quality, a premium user experience, and its comprehensive drinks offer.

So as coffee is the fuel that keeps the office workplace running, it is an opportunity to facilitate myriads of face-to-face informal interactions that help generate ideas and enhance team productivity with our Vitro S5.

## COUNTLESS ACCESSORIES AND OPTIONS FOR YOUR BUSINESS

Offering a unique coffee experience has never been easier. We have developed a complete range of accessories to adapt Vitro S5 to any business model. The Vitro S5 accessories provide a distinctive service and help you improve your profitability.



**Base Cabinet**

Robust and elegant.



**Drink technologies**

Espresso or Fresh-brew and soluble technologies that produces the perfect coffee.



## V30 VARIABLE CHAMBER BREWER

*\*Optional*

### COFFEE JUST THE WAY YOU LIKE!

The Vitro S5 can be equipped with the patented paperless eco-friendly dual brew system V30 with variable chamber that grinds your coffee beans seconds before brewing and allows the elaboration of two different types of coffee either Espresso or Fresh-brew.

The V30 brewer is able to adjust each recipe to your customer's taste, offering the possibility to set a dose throw of between 7 and 14 grams of coffee.

#### User friendly touchless selection

12 options gives you a vast array of high quality coffees whilst Distance Selection Technology allows you to intuitively select the drink of your choice without touching the machine.



#### Sturdy and easy to clean

The stainless steel dispensing area is sturdy and easy to clean. The front of the tray is removable, allowing easy daily maintenance.



#### Different cup sizes

Cups up to 6" tall can be used. It includes a retractable cup stand that allows the use of small cups. Optional cup sensor.





## PAY BY CARD OR CASHLESS

We are in a global continuous adapting world and payment trends are changing. The MDB protocol allows the Vitro S5 to adapt to the latest payment methods with various accessories that make payment easy.

For a self-contained operation, the Vitro S5 allows to integrate a cashless system.



**Cashless system  
integration option**



### High autonomy ▶

The waste drawer has a capacity for up to 220 coffee cakes and the liquid tray holds 2.5 L / 0.66 gal. An exceptional run-time allowing a continuous service.



### ◀ Effortless maintenance

A great design in and out. Inside there is a coding system and a tube color guide to simplify aintenance work.

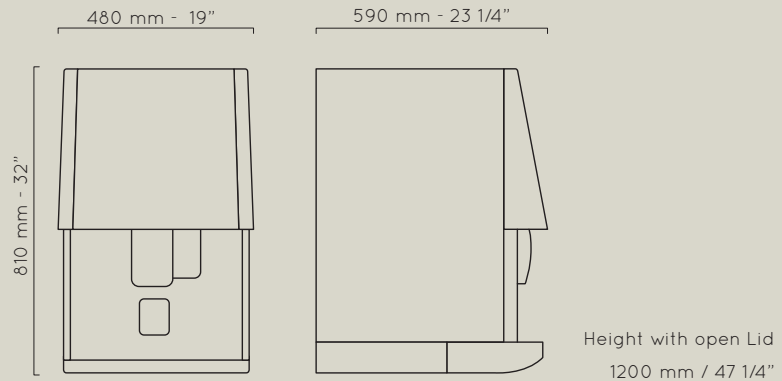


### ◀ Easy to refill coffee beans and soluble ingredients

The filling of coffee beans and soluble products is quick and simple, thanks to the folding cover you don't have to take out the canisters.

**SPECIFICATIONS:**
**VITRO S5**

CAPACITY		
No. of coffee bean hoppers		1
No. of soluble product canisters		4
Product capacity (left to right)		Coffee beans 2.04 Kg / 4.5 lb Soluble decaffeinated coffee 0.43 Kg (1.8 l canister) / 0.94 lb or Soluble tea 1 Kg (1.8 L canister) 2.38 lb Soluble milk 1.97 Kg (4.2 L) / 4.3 lb Chocolate 2.3 Kg (4.2 L) / 5.08 lb French Vanilla 0.45 Kg (1.8 L) / 0.99 lb
Coffee Cakes capacity		up to 220
Liquid tray capacity		2.5 L / 0.66 gal
TECHNICAL INFORMATION		
Net Weight		55 kg / 121.25 lb
Coffee brewer		V20 (12-14 g) Espresso V30 (7-14 g) Espresso or Fresh-brew. Optional
No. of mixers		3
Name of grinder		M03 Horeca Performance
No. of grinders		1
Boiler type		Pressure
Boiler capacity		700 cc / 23.6 fl oz
Voltage / Frequency		110-120V / 60 Hz
Maximum Power		1800 W
No of selections		12
Certificates		UL 60335-1:2011 CSA-C22.2 No. 60335-1-11 NAMA listed
Width		480 mm - 19"
Effective Height		810 mm - 32"
Depth		590 mm - 23 1/4"
Base cabinet dimensions		Width 480 mm x Height 855 mm x Depth 590 mm Width 18.89" x Height 33.66" x Depth 23 1/4"



**Spain**  
Avda. San Silvestre, s/n  
31350 Peralta (Navarra)  
Tel: 948 709 709  
www.azkoyenvending.es

**U.K.**  
Unit 1, Interplex 16,  
Ash Ridge Road  
Bradley Stoke, Bristol,  
BS32 4QE, England  
Tel: 01275 844 471  
www.coffetek.co.uk

**Germany**  
Am Turm 86  
53721 Siegburg  
Tel: 02241-595 70  
www.azkoyenvending.de

**France**  
6 Allée de Londres  
Le Madras Bat C2  
91140 Villejust  
Tel: 01 69 75 42 10  
www.azkoyenvending.fr

**Portugal**  
Bela Vista Office  
Estrada de Paço  
de Arcos, 66  
2735-336 Cacem  
Tel: 1210 985 212

**Colombia**  
Km 3 Via Pereira-Armenia  
Centro Logístico Consotá BG 1 y 2  
PBX: +57 6 311 0513  
Pereira - Risaralda  
www.azkoyenandina.com

**United States**  
3809 Beam road, Suite H  
Charlotte, NC 28217  
Commercial: +1 (980) 237-5065  
Tech. Support: +1 (704) 258-9388  
www.azkoyenvendingusa.com

84800371 - 2301